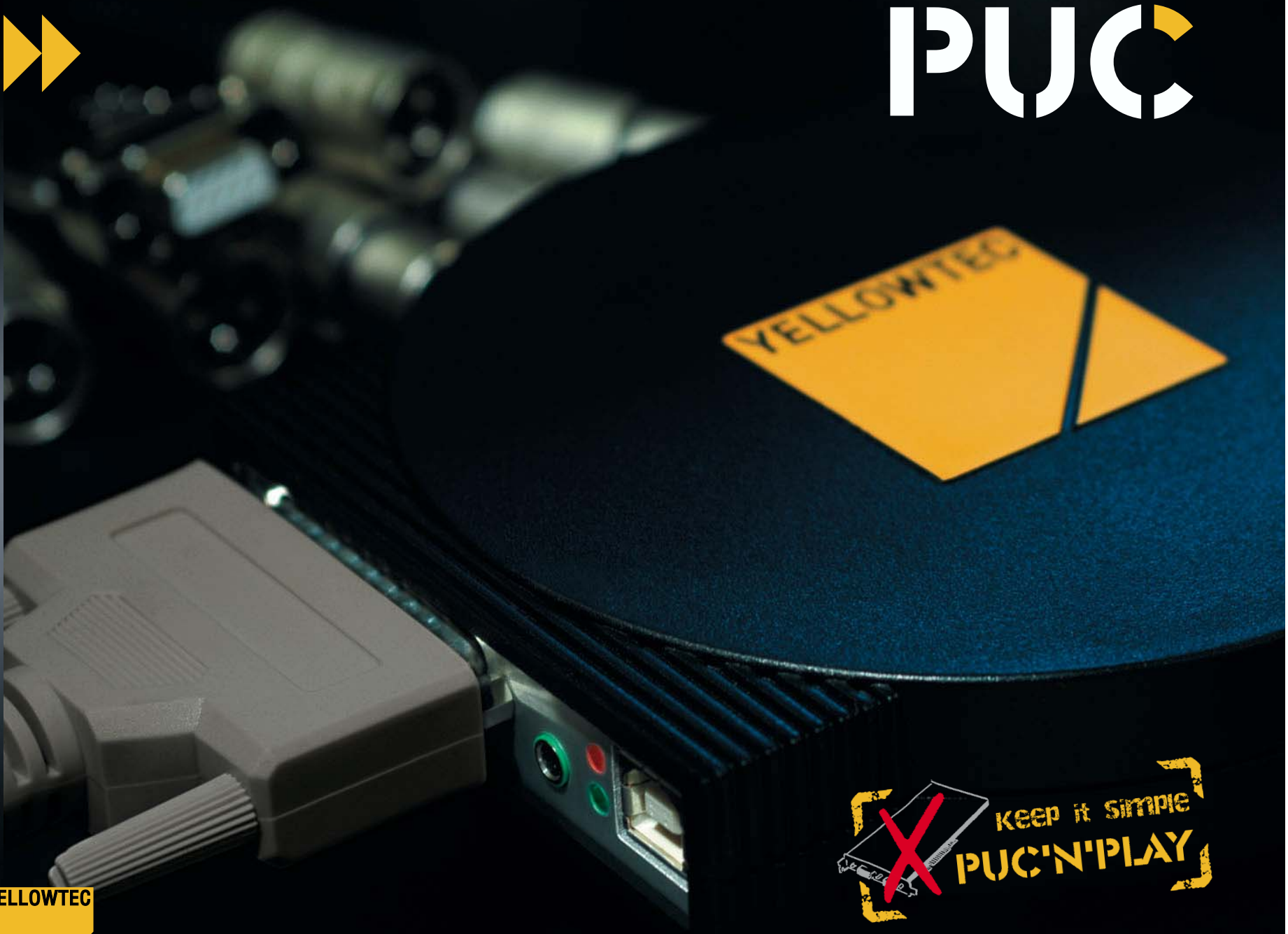


YELLOWTEC



# PUC



 Keep it simple  
**PUC'N'PLAY**



# PUC

## PROFESSIONAL USB CONVERTER

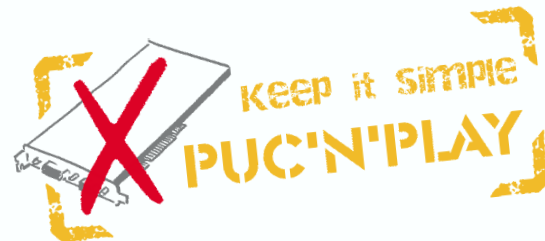
**PUC** setzt einen neuen Standard für professionelle Audioschnittstellen an Ihren PCs. Der USB Adapter mit AES/EBU und analogen, symmetrischen Linepegeln installiert sich beim ersten Aufstecken selbst. **PUC** kommuniziert über die MME Komponente von MS-Windows oder MAC-OS und bedarf somit keiner zusätzlichen Treiber. In anderen Worten, er funktioniert spontan mit jeder Anwendung, die auf Soundblaster® kompatiblen Karten läuft. Jegliche Installation Zusatzsoftware entfällt! **Genießen Sie den Vorteil von „PUC'N'PLAY“ nun endlich auch im professionellen Umfeld.**

**PUC** ist preisgünstig und setzt einen neuen Kostenstandard. Der Entfall jeglicher Folgekosten für PC-Einbau, Treiberinstallation und -pflege ermöglicht den spontanen Einsatz in allen Anwendungsumgebungen. Ob Sie PC's austauschen oder neu installieren, ob in Festinstallationen oder als Feldanwendung am Laptop – **PUC** erfüllt alle professionellen Ansprüche. **Sicher, unkompliziert und budgetfreundlich.**

Das hohe Sparpotential gegenüber professionellen PC-Einsteckkarten macht den Umstieg leicht. Das Motto „**Keep it simple**“ sichert den Betrieb. Beide Vorteile zusammen erfahren Sie mit **PUC**, dem ersten professionellen USB-Audioadapter aus dem Haus YELLOWTEC.



WE TALK BROADCAST





## PROFESSIONAL USB CONVERTER

**PUC** sets a new standard in professional audio interfaces for your PCs. This USB adapter with AES/EBU, and balanced analogue line levels installs itself the very first time you plug it in. **PUC** communicates via the MME components in MS Windows, or the MAC-OS and has no need of an additional driver. In other words, it works with any task that you would normally run on a SoundBlaster® card from the moment it's plugged in.

No need for any kind of installation software!

**At long last you can now benefit from PUC'N'PLAY in professional audio.**

**PUC** is cost effective and sets a new price standard. The total absence of extra outlay such as PCI card installation, software driver installation or maintenance costs permits spontaneous use in any application area. Regardless of whether you swap PCs, install new ones, or whether you have a fixed installation or a field application with a Laptop – **PUC** meets every professional requirement. **Uncomplicated and economically!**

Great potential for savings when compared with PC insertion cards makes the case for adoption clear-cut. The "**keep it simple**" principle maintains operational integrity. You can experience the combination of both these benefits with **PUC**, the first truly professional USB adapter brought to you by YELLOWTEC!

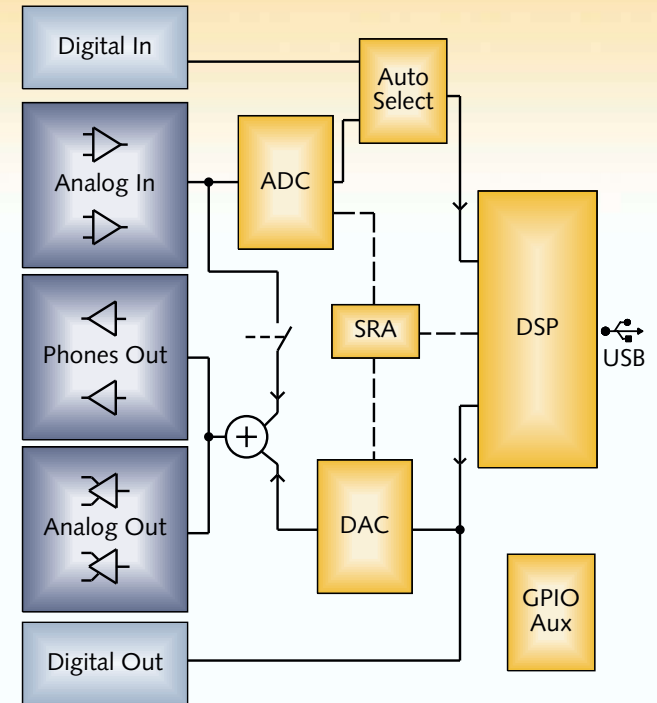
**PAY LESS - PUC'N'PLAY**

[www.yellowtec.com](http://www.yellowtec.com)



## TECHNICAL SPECIFICATIONS

- ▶▶ Full USB 1.1 Compliance; compatible to MS Windows 98 (2nd ed.) Windows 2000/ME/XP, Mac OS 9 or higher
- ▶▶ Power Supply via USB, less than 400mA typ.
- ▶▶ USB Asynchronous Mode for Record / USB Adaptive Mode for Playback
- ▶▶ Stereo Digital Audio Input and Output in the S/PDIF format with SCMS Serial Copy Management System (special version with AES/EBU ports available, particular specifications apply, please refer to datasheet provided with special version)
- ▶▶ Stereo Analogue Inputs electronically balanced with Ref. Level +6dBu / max. Level +15dBu via GPI switchable to Ref. Level +4dBu / max. Level +18dBu / Input impedance 20KOhm
- ▶▶ Stereo Analogue Outputs electronically balanced with Ref. Lvl. +6dBu / max. Level +15dBu via GPI switchable to Ref. Lvl. +4dBu / max. Level +18dBu / Load > 600 Ohm
- ▶▶ Stereo Headphones Output max. Level +18dBu (unloaded) Impedance 300 Ohm, Load > 600 Ohm
- ▶▶ 16 Bit Delta Sigma A/D and D/A conversion, supported sample rates A/D 8kHz, 11.025 kHz, 16kHz, 22.05kHz, 32kHz, 44.1kHz, 48kHz, D/A 32kHz, 44.1kHz, 48kHz
- ▶▶ Noise 88dB typ. (A/D), 95dB typ. (D/A), (QPeak, 22Hz-22kHz, A-weighted)
- ▶▶ GPI (control input ports) max. voltage range: dig. 0V ... +5V / active: 0V / non active: open or +5V
- ▶▶ AUX POWER OUT +/-15V/+5V max. current 10mA, no short-circuit protection provided!
- ▶▶ Dimensions 140mm x 132mm x 27mm, weight approx. 200g



Visit our website for more details

[www.yellowtec.com](http://www.yellowtec.com)

**PUC'N'PLAY**

**YELLOWTEC**  
 Heinrich-Hertz-Strasse 1-3  
 D-40789 Monheim  
 Phone +49-2173-967-30  
 Fax +49-2173-967-400  
 e-mail [info@yellowtec.com](mailto:info@yellowtec.com)



WE TALK BROADCAST